



PCA-970 CHLORINE DIOXIDE RESIDUAL MONITORING SYSTEM

The PCA-970 measures free chlorine dioxide by means of a polarization voltage which is applied to the anode and counter electrode of the potentiostatic sensor in order to create an electrical current proportional to the chlorine dioxide concentration. A reference electrode allows the compensation of the ORP and resistance effects. As a result the measuring is very accurate even at low concentration levels.

The current through the potentiostatic cell is affected by the chlorine dioxide consumption, to be renewed by a constant liquid flow. If the liquid is not regularly renewed the readout will decrease slowly to zero.

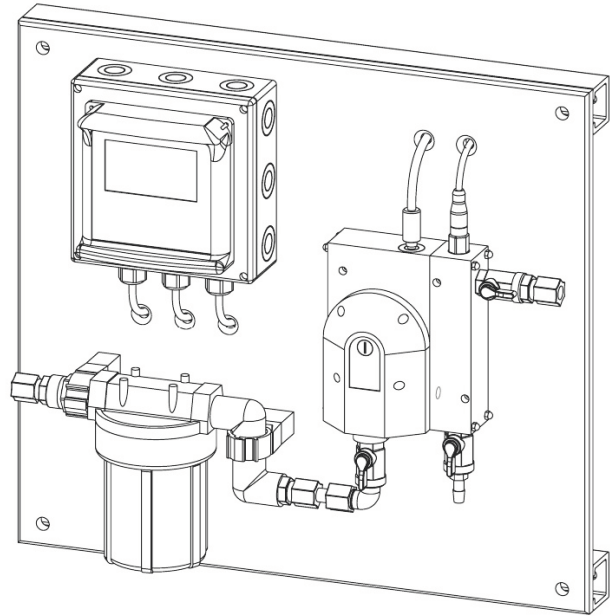
Pure Advantages

PureLine's patented ClO₂ controllers offers many benefits:

- Generator control to .1 ppm
- Durable and accurate in non-transparent and/or oily materials
- Chemical resistant
- Durable
- Accurate at low levels
- Low cost
- Fail safe control with integrated flow switch
- Easy to operate
- Excellent uptime
- Thrives in harsh or dirty environments
- Interfaces directly with PureLine ClO₂ generators

Specifications

Pressure:	Up to 150 @ 100 degrees F
Sample Flow:	0.25 gpm 5psi pressure differential from inlet to discharge)
Electrical Power:	110 VAC, 1PH 10A service / 24 VDC
Accuracy:	0.01 ppm
Measurement Range:	0.01 - 20.0 ppm
Process Interface:	Alarm and running status via dry contact 4-20 mA Signal Built-in flow switch for safe control
HS Code:	8421.21.000



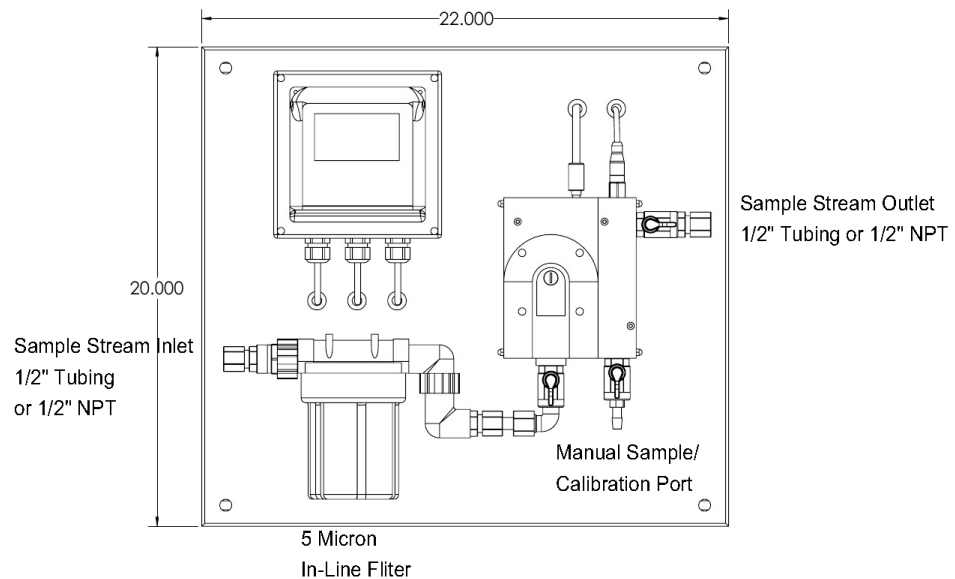
System is available with:

- Data logging
- Remote access via ethernet
- Booster pump for continuous sampling
- Auto cleaning (Electrode cleaning)
- Auto flush cleaning (For solids/films)

▲ Available Options

▼ PCA-970

Dimensions



Experts in the generation and application of chlorine dioxide

Pureline offers a complete line of chlorine dioxide products, solutions and accessories.



PureLine

847 963 8465

info@pureline.com

1241 N. Ellis Street
Bensenville, IL 60106

pureline.com